

Medium Conference Room

Design Guide

DOC-0519-001 REV 1.8 – Mar 25, 2022

Room Application

Video Conferencing,
Teleconferencing

Included Interfaces

BYOD PC audio and video,
Bluetooth, VoIP, Analog Phone

Primary Equipment

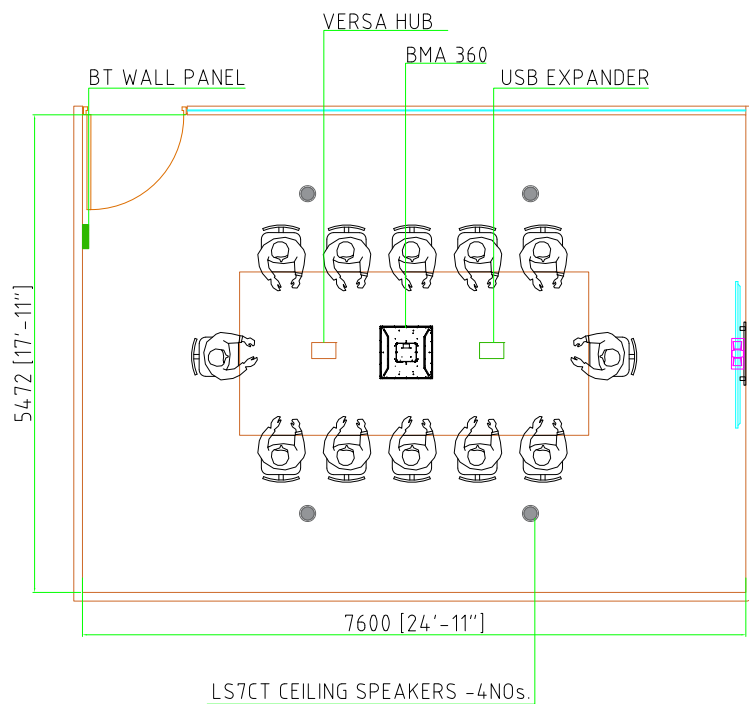
- BMA 360
- 48 VT
- BT Expander
- Versa Hub

Software/Firmware revisions utilized

- CONSOLE® AI Version: 7.5.4.1
- DSP Version: 8.5.15.0
- BMA 360 Version: 1.0.6.10



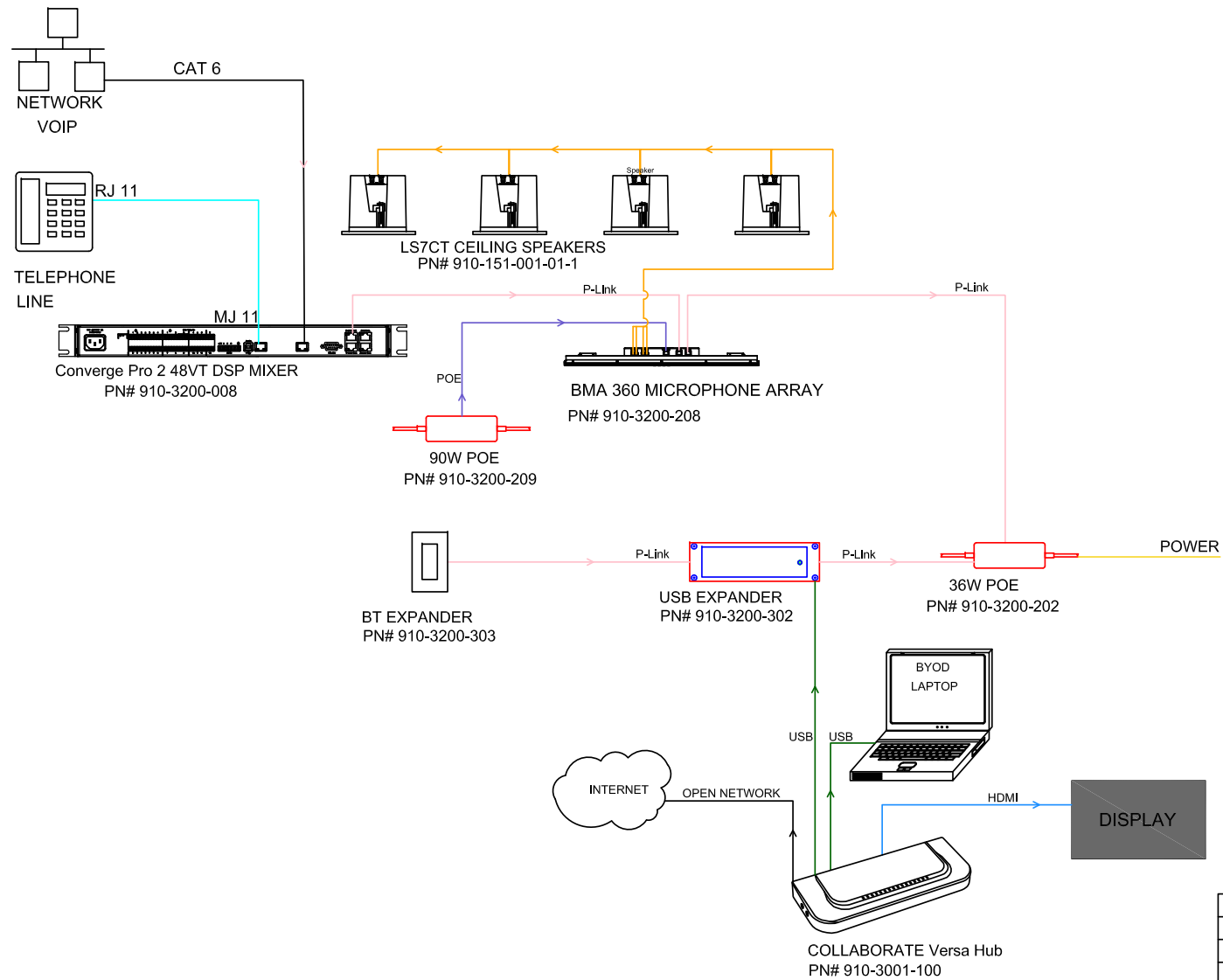
Room Illustrations



Room Description

A Medium Conference room for groups of 12 or less. This system provides the best audio even in a reverberant space and all of the connectivity needed for BYOD devices from your laptop to your cell phone. Standard Telephony and VoIP complete the systems long list of connectivity options.

Wiring Diagram



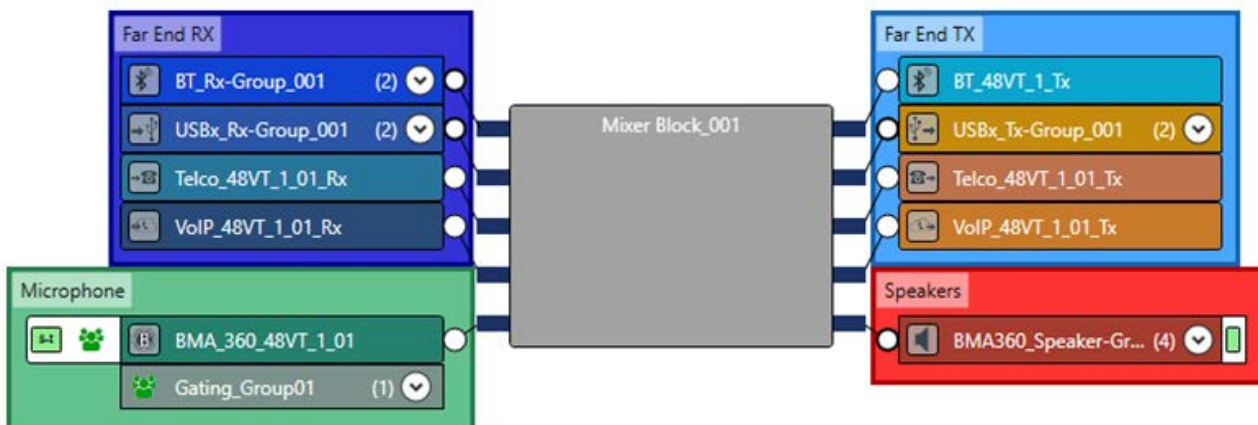
LEGEND	
	SPEAKER (18 AWG Wire)
	POE
	USB
	HDMI
	P-LINK (CAT 6)
	NETWORK (CAT 6)

NOTE: ANY INDIVIDUAL P-LINK MUST NOT EXCEED 200 FEET / 61 METER IN LENGTH

Equipment list:

Qty	Part Number	Product Name	Description
1	910-3200-008	CONVERGE® Pro 2 48VT	DSP Mixer with 4 Mic/Line AEC Inputs, 8 Mic/Line Outputs, USB Audio, VoIP, Telephone Interface, 2 x 10 Watt Power Amplifier
1	910-3200-209	90W PoE++ power supply kit for BMA	Includes 1 x 90 Watt PoE++ Injector, 2 x 25 ft CAT6 cables
1	910-3200-202	36W PoE+ power supply kit for BMA	Includes 1 x 36 Watt PoE+ Injector, 2 x 25 ft CAT6 cables
1	910-3200-208	BMA 360 24 Inch	BMA with 4 x 15 Watt Power Amplifiers. PoE Injector and CAT6 cables not included. 910-3200-208-I 600 mm model also available.
1	910-3200-302	USB Expander for CONVERGE® Pro 2	Includes 6 ft USB cable
1	910-3200-303	CONVERGE® Blue Tooth Expander	Includes Bluetooth Expander Wall Panel, Trim Plate, Low Voltage 1-Gang Wall Bracket, NFC Button
2	910-151-001-01-1	Ceiling Speakers	Includes 2 x LS7CT ceiling speakers with 8 ohm and 70V/100V transformer taps and ceiling tile bridges.
1	910-3001-100	COLLABORATE® Versa Hub	Hub that connects USB camera, USB audio, room displays and laptop

FlowView™ Diagram



Included Macros

- Microphone_Mute : Mutes both room BMA 360 Microphones.
- Microphone_Unmute : Unmutes both room BMA 360 Microphones.
- Room_SPKR_Mute : Mutes all room speaker channels.
- Room_SPKR_Unmute : Unmutes all room speaker channels.
- Room_VOL_DN : Decreases the room speaker volume by 3 dB per execution.
- Room_VOL_UP : Increases the room speaker volume by 3 dB per execution.

* Macros can be executed via Telnet or serial communications.
Refer to the Converge Pro 2 Serial Command Reference Manual for details.

Download the Medium Conference Room files: [HERE](#)

SALES AND INQUIRIES

Headquarters

5225 Wiley Post Way Suite 500
Salt Lake City, UT 84116

Headquarters

Main: +1.801.975.7200

Sales

Tel: +1.801.975.7200
sales@clearone.com

Tech Support

Tel: +1.801.974.3760
audiotechsupport@clearone.com